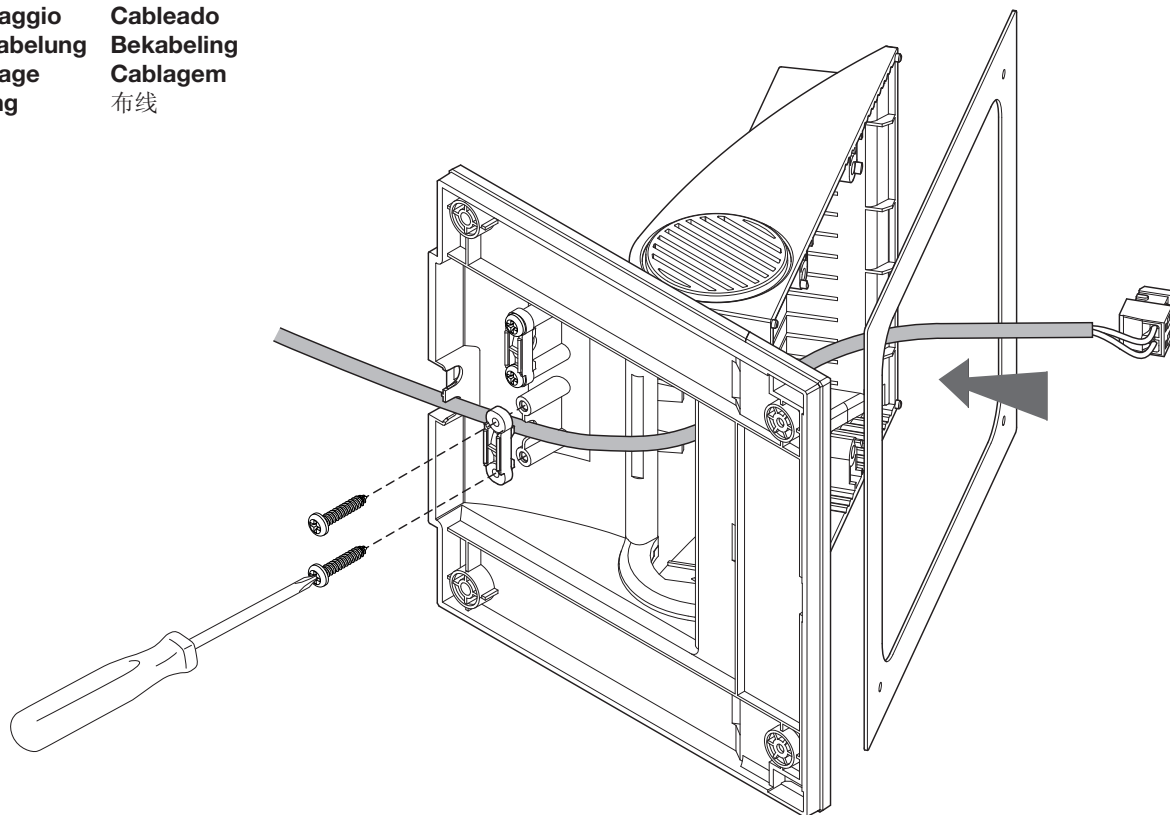


**Cablaggio**  
**Verkabelung**  
**Câblage**  
**Wiring**

**Cableado**  
**Bekabeling**  
**Cablagem**  
 布线

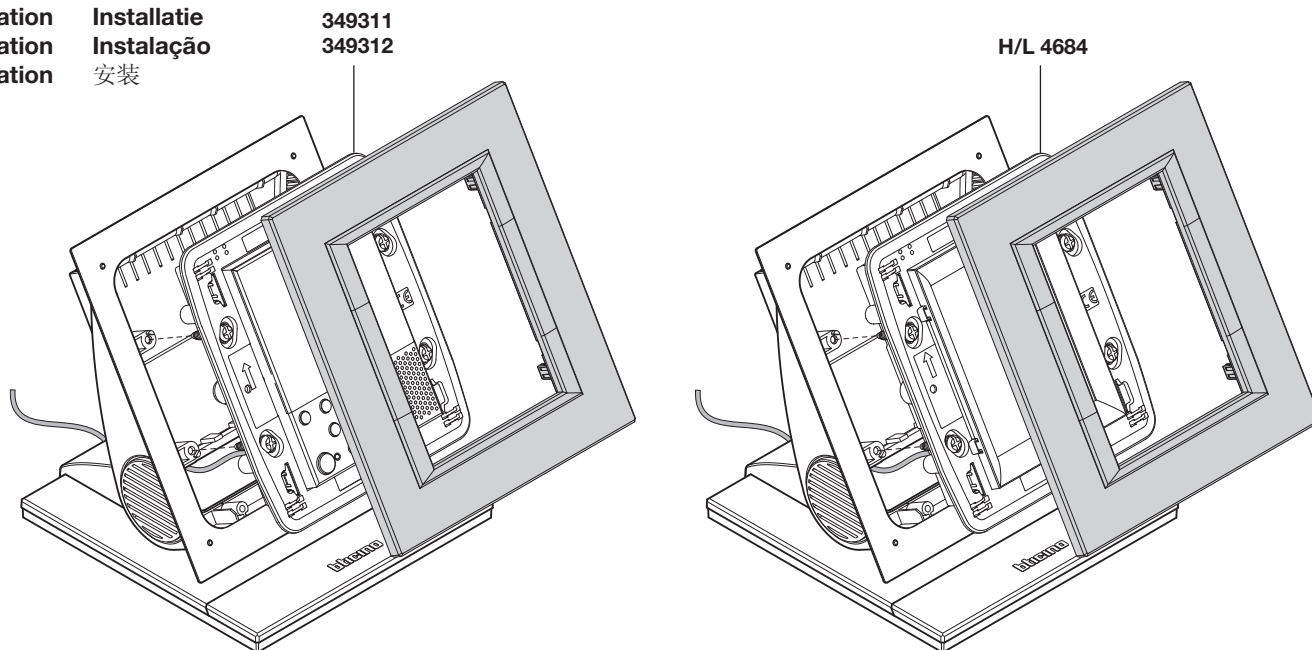
1



**Installazione**  
**Installation**  
**Installation**  
**Installation**

**Instalación**  
**Installatie**  
**Instalação**  
 安装

2



Completare con placche Axolute **HA 4826...** o in alternativa **Light N 4826...**, **Light Tech NT 4826...**  
 Installation entweder mit den Platten Axolute **HA 4826...** oder **Light N 4826...**, **Light Tech NT 4826...** beenden  
 Compléter avec plaques Axolute **HA 4826...** ou, comme alternative **Light N 4826...**, **Light Tech NT 4826...**  
 To be completed with Axolute **HA 4826 cover plates...** or alternatively, **Light N 4826...**, **Light Tech NT 4826...**  
 Complete con placas Axolute **HA 4826...** o sino **Light N 4826...**, **Light Tech NT 4826...**  
 Volttoeien met platen Axolute **HA 4826...** of in alternatief **Light N 4826...**, **Light Tech NT 4826...**  
 Completar com placas Axolute **HA 4826...** ou alternativamente **Light N 4826...**, **Light Tech NT 4826...**  
 使用Axolute HA 4826面板或Light N 4826、Light Tech NT 4826完成安装。

Schema di collegamento  
Anschlussplan  
Schéma de branchement  
Wiring diagram

Esquema de conexiones  
Schema van verbinding  
Esquema de conexão  
连接图

